

Environmental Data Sheet ■

Altus® Task Seating
Rev: 06072011

Product Category: Task Seating

Certifications: Greenguard Certified
CARB Compliant – Phase I

LEED Contributions: Recycled Content
Regional Materials
Low Emitting Materials



Programs Overview Below:

LEED 2009	Category	Credit	Contribution
LEED BD&C LEED ID&C LEED OM	Materials & Resources	Recycled Content MR 4.1 & 4.2 10% or 20% recycled content	Post-consumer and Pre-consumer % by weight
	Materials & Resources	Regional Materials MR 5.1 Manufactured within 500 miles of the project location.	Chair is distributed through Green Bay, WI 54311
	Indoor Environmental Quality	Low Emitting Materials EQ 4.5	Greenguard Certified

Recycled Content Summary:

Material Total Weight 52 lbs.	Average % Weight	Recycled Content %	% Post Consumer	% Pre Consumer	Can be recycled?
Overall = 72.7%			10.4%	62.3%	
Steel	5%	72%	0%	3.60%	Y
Nonferrous Metal	48%	98%	0%	47.04%	
Mesh or Fabric (Slipcovers)	1%	0%	0%	1%	-
Polypropylene (inner upholstery board for fabric/foam)	30%	69%	10.35%	10.35%	Y
Nylon (utility grade glass filled)	1%	25%	0%	.3%	Y

Disclaimer: Numbers may vary based on model and options selected. Calculations of recycled content are based on data provided by suppliers and other available information. This data may include industry averages, ranges or other broadly based information. KI makes conservative assumptions when compiling information to provide the most accurate recycled content calculations possible. This document will be reviewed and updated periodically and is subject to change without notice.

* Product Recyclability is dependent on local programs.

KI
1330 Bellevue Street
P.O. Box 8100
Green Bay, WI 54308-8100

Tel 920-468-8100
Fax 920-468-0280
www.ki.com



Furnishing Knowledge

Environmental Data Sheet ■

Altus® Task Seating

Rev: 06072011

Other Materials Recycled Content Overview:

Material	Recycled Content %	% Post Consumer	% Pre Consumer	Can be recycled?
Corrugated Packaging - From SCS Sources	68%	18%	50.0%	Y

Packaging has large amounts of recycled content – an average of 68% corrugated material, where corrugate is used. Packaging materials, plastic banding and skids can be recycled at the jobsite if requested.

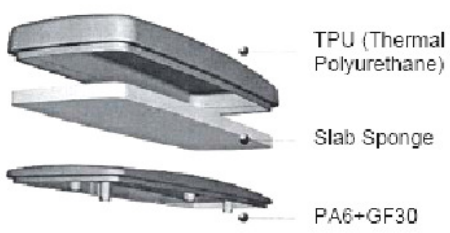


Wherever possible, blanket wrap is used thereby eliminating the packaging waste. These packaging options help to support LEED NC & CI – MR 2.1 and MR 2.2 *Construction Waste Management* or LEED EB - MR Prerequisite 1.1 *Source Reduction and Waste Management*.

Greenguard Certification:

- Measurements and results indicated below

	USGBC	GREENGUARD	GRADE
Formaldehyde	0.025 ppm	0.025 ppm	PASS
TVOC	0.25 mg/m3	0.25 mg/m3	PASS
Total Aldehydes	0.05 ppm	0.05 ppm	PASS

Other Attributes:

Special Green Feature of the Altus TPU Arm Pad		
<p>TPU is a recyclable material.</p>	 <p>TPU (Thermal Polyurethane) Slab Sponge PA6+GF30</p>	
<p>All layers are easily separated for better recyclability.</p>	 <p>Altus Arm Pad Regular Arm Pad Integral Skin Form</p>	

End-of-Life Recycling & Reuse: KI selects materials that can be recycled at the end of a product's use and designs its products so that it can be easily disassembled and separated for local recycling facilities.

Maintenance:

Fabric – Wisk or vacuum regularly. For unusual stains, use a commercial cleaner following manufacturer's instructions.

Vinyl/Polyurethane – Wipe with damp cloth, moistened with a mild detergent solution. For unusual stains, use a commercial nylon cleaner, following manufacturer's instructions.

Other Surfaces – Wipe with soft cloth, moistened in a mild solution. Dry and buff lightly with a dry cloth.

KI
1330 Bellevue Street
P.O. Box 8100
Green Bay, WI 54308-8100

168-8100
168-0280
m



Furnishing Knowledge