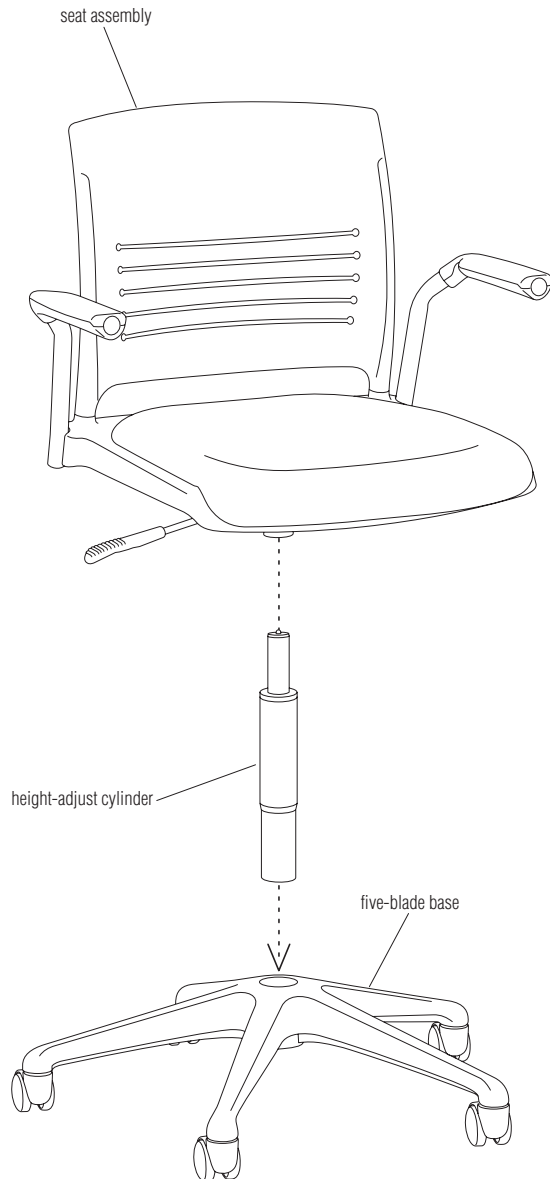


Assembly Instructions ■

Strive™ Task Chair

January 2008



1. Position the five-blade base onto the floor and press the larger end of the height-adjust cylinder into the center hole of the five-blade base.
2. Align the hole in the bottom of the seat assembly with the top of the height-adjust cylinder and press the seat assembly down firmly. Sit on the seat to completely drive the components together. Failure to do so could result in personal injury.



Assemble units as described herein only. To do otherwise may result in instability. All screws, nuts and bolts must be tightened securely and must be checked periodically after assembly. Failure to assemble properly, or to secure parts may result in assembly failure and injury.

